



# Eco/2

## Eco/2 - Two-stage burners

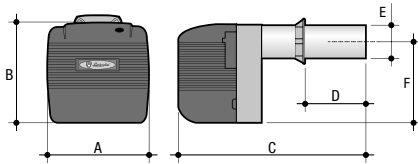
- Adjustment of the air and combustion head.
- Electric servo control on the air damper. Excellent combustion thanks to uniform air distribution. Stabilised ventilation.
- Soundproof hood. Compact dimensions

Burner code	Burner model
Z300840381	<b>ECO 7/2</b>
Z300841294	<b>ECO 15/2</b>
Z300840744	<b>ECO 20/2</b>
Z300840655	<b>ECO 22/2</b>
Z300870161	<b>ECO 30/2</b>
Z300870171	<b>ECO 40/2</b>

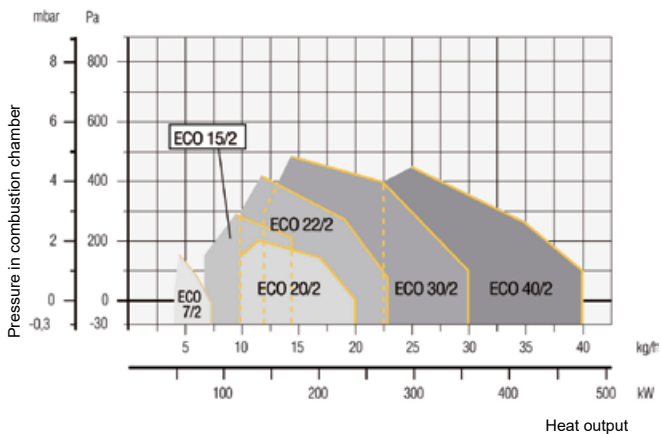
**NB:** products available on stock

**NB:** The burners of the Eco/2 series can only be sold and installed in conformity with EU regulation 813/2013 (Art. 1, Paragraph 2, Section G)

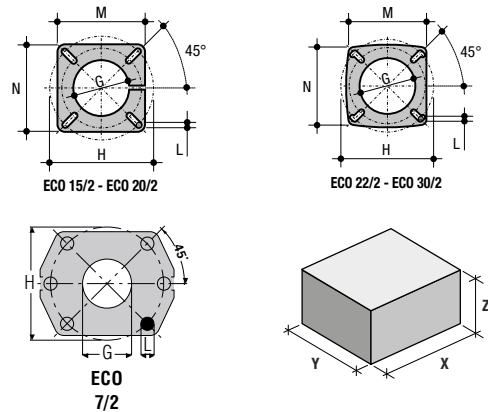
### Dimensions (in mm)



### Working range



### Connection flange, Packaging and Weight



Model	G	H	L	M	N	Dimensions X Y Z	Weight
	Ø mm	Ø mm	mm	mm	mm	cm	kg
<b>ECO 7/2</b>	95	140 - 180	M8	-	-	45 x 34 x 31	15.8
<b>ECO 15/2</b>	120	155 - 210	M8	180	180	76 x 36 x 44	18
<b>ECO 20/2</b>	120	155 - 210	M8	180	180	76 x 36 x 44	19
<b>ECO 22/2</b>	135	160 - 225	M10	214	205	76 x 44 x 40	24
<b>ECO 30/2</b>	145	172 - 225	M10	214	205	96 x 50 x 54	35
<b>ECO 40/2</b>	160	172 - 225	M10	214	205	96 x 50 x 54	35

Model	Flow rate	Heat output	Motor	A	B	C	D	E	F
	kg/h	kW	230V ~ 50Hz	mm	mm	mm	mm	Ø mm	mm
<b>ECO 7/2</b>	4 - 7.3	47.4 - 86.6	100 W single	280	247	410	40 - 140	90	195
<b>ECO 15/2</b>	7 - 14.8	83 - 175.5	185 W single	275	340	685	80 - 285	114	274
<b>ECO 20/2</b>	10 - 20	118.6 - 237.2	185 W single	275	340	700	60 - 300	114	274
<b>ECO 22/2</b>	10 - 23	118.6 - 272.8	250 W single	360	350	576	60 - 300	120	275
<b>ECO 30/2</b>	12 - 30	142.3 - 356	370 W single	420	423	770	70 - 320	135	350
<b>ECO 40/2</b>	22.5 - 40	266.9 - 474	370 W single	420	423	790	70 - 320	148	350